

FUJI 35 DIESEL YACHT DATA SHEET

NAME OF BOAT : _____
 OWNERS ADDRESS : _____
 HAILING PORT : _____
 HULL NUMBER : Fuji 35 # 061
 REGISTRATION NO. : _____

Length Over All	: 34'-7"	Fuel Capacity	: 40 gallon Standard
Beam	: 10'-0"	Water Capacity	: 60 gallon Standard
Draft	: 5'-0"	Holding tank	: 30 gallon Standard
Height above Water L.	: 45'-5"	Extra Fuel Tank	: _____
Water Line	: 26'-0"	Extra Water Tank	: _____
Displacement	: 16,302 lbs.	Ballast	: 5,500 lbs.

<u>Sail Area</u>	<u>Luff</u>	<u>Leach</u>	<u>Foot</u>	<u>Area</u>	<u>Hoist</u>	<u>& Mast Position</u>
Main Sail	: 35'-0"	37'-0"	121'-1"	220 sq. ft.		
Mizzen Sail	: 23'-0"	23'-9"	8'-0"	92 sq. ft.		
Working Jib	: 37'-3"	30'-6"	14'-0"	195 sq. ft.	36"	24"
100% Genoa	: 39'-6"	35'-6"	17'-0"	318 sq. ft.		24"
150% Genoa	: 40'-2"	39'-11"	23'-0"	450 sq. ft.		24"
Forestay sail	: 23'-0"	24'-0"	9'-3" 9'-3"	104 sq. ft.		6"
Mizzen Staysail	: 28'-0"	24'-9"	21'-0"	250 sq. ft.		

MAIN ENGINE

Manufacturer : Perkins Engines Inc. Model 4.108M
 Gear Manufacturer : Warner Gear Model AS7-71C
 Gear Ratio : 1.9 : 1 Type Velvet Drive
 Engine Serial No. : 108US4049 Engine Gear S. No. 29140

Battery Manufacturer : YUASA Model 12-120AH

Propeller Shaft : Bronze STAINLESS ^{3/16} Packings
 Material Shaft : Bronze STAINLESS Style Columbian "E" ^{1/4" x 1 3/4" Key} ^{2-3/8 setscrew}
 Diameter : 18" RH Pitch 12" ^{1 1/8" Dia}
 No. of Blades : Two Material Bronze

Hot Water Heater : American Appliance Corp. Model Horizontal AMRS-10

Bilge Pump : Munster Simms Engineering Ltd. Model WHALE Gusher "10"

Water Pressure System : Peter and Russell, Inc. Model 6900-12

Shower Sump Pump : Mitsuba Electric Co. Model BP-2

Shower Sump Float : Sugiura Denki Co. Model _____

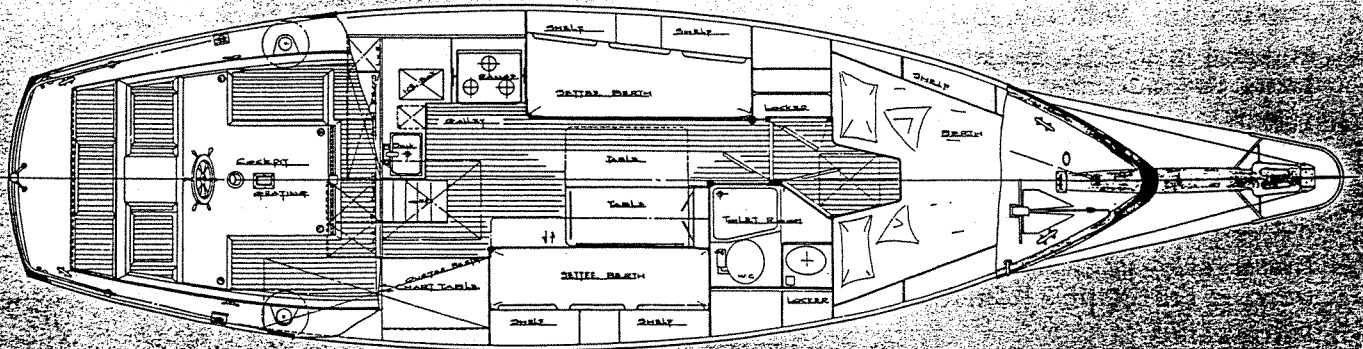
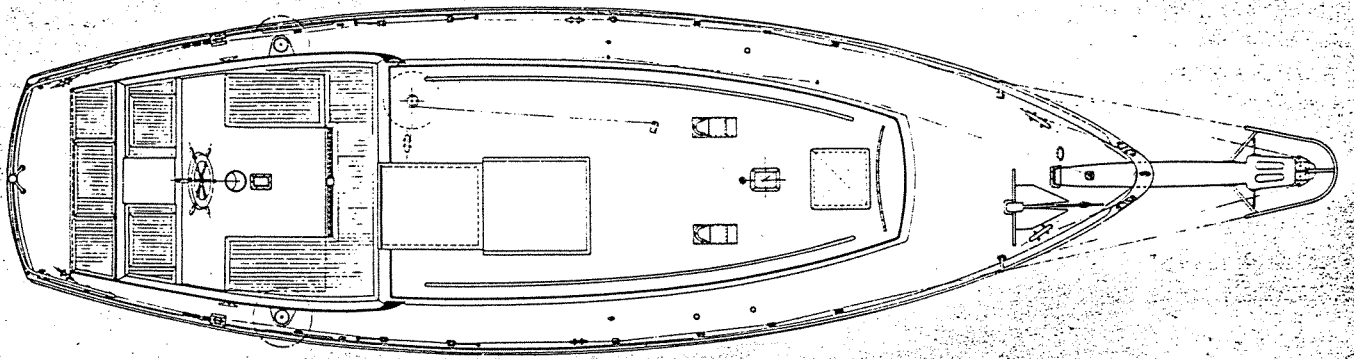
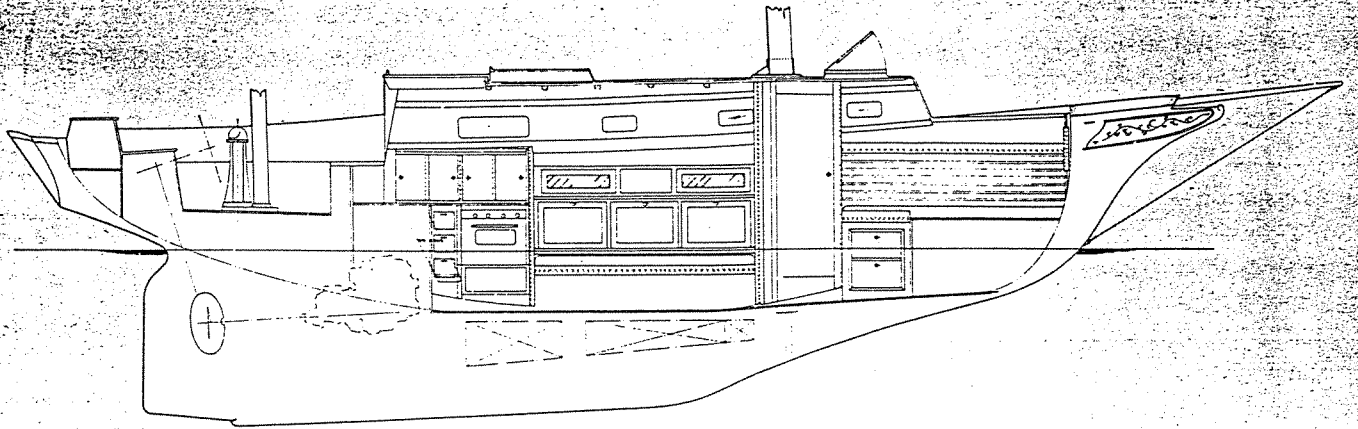
Shower & Mixing Valve : Alsons Products Corp. Head #300 05-2472

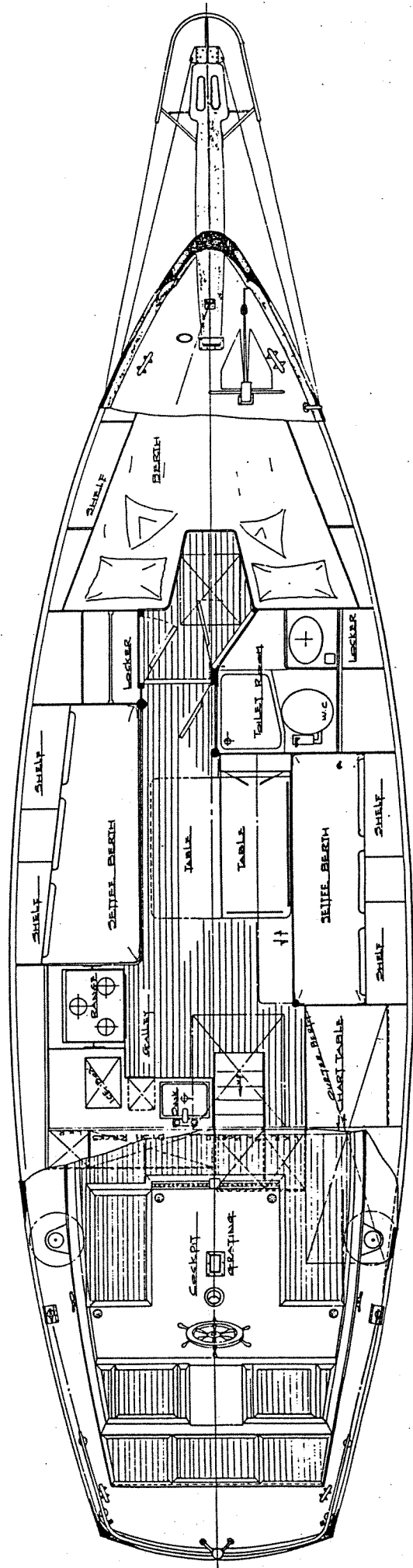
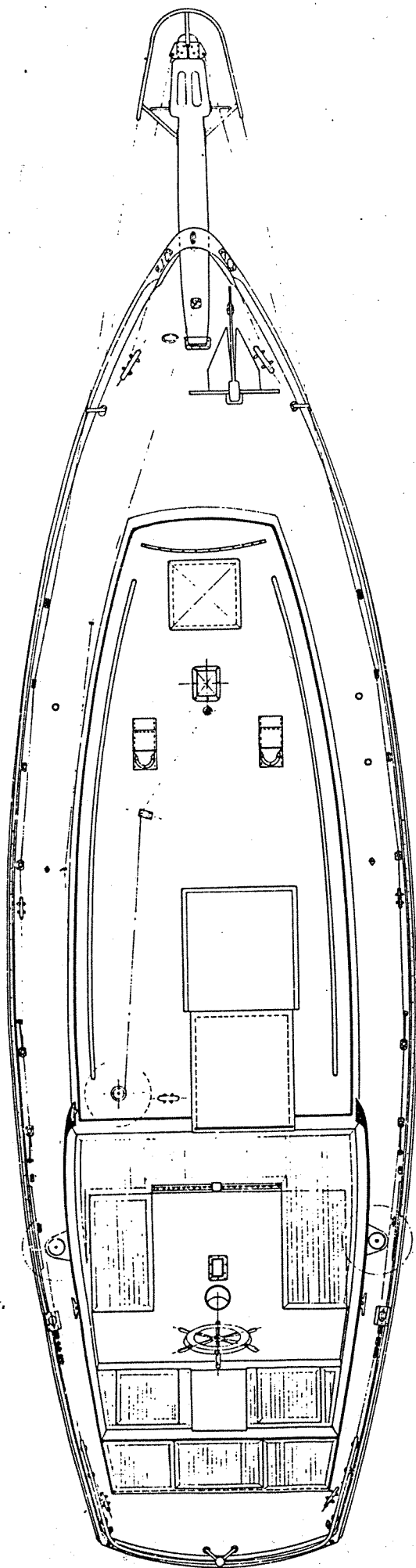
Galley Faucet : Harcraft Model 12-560

Lavatory Faucet : Alsons Products Corp. Model 05-2484

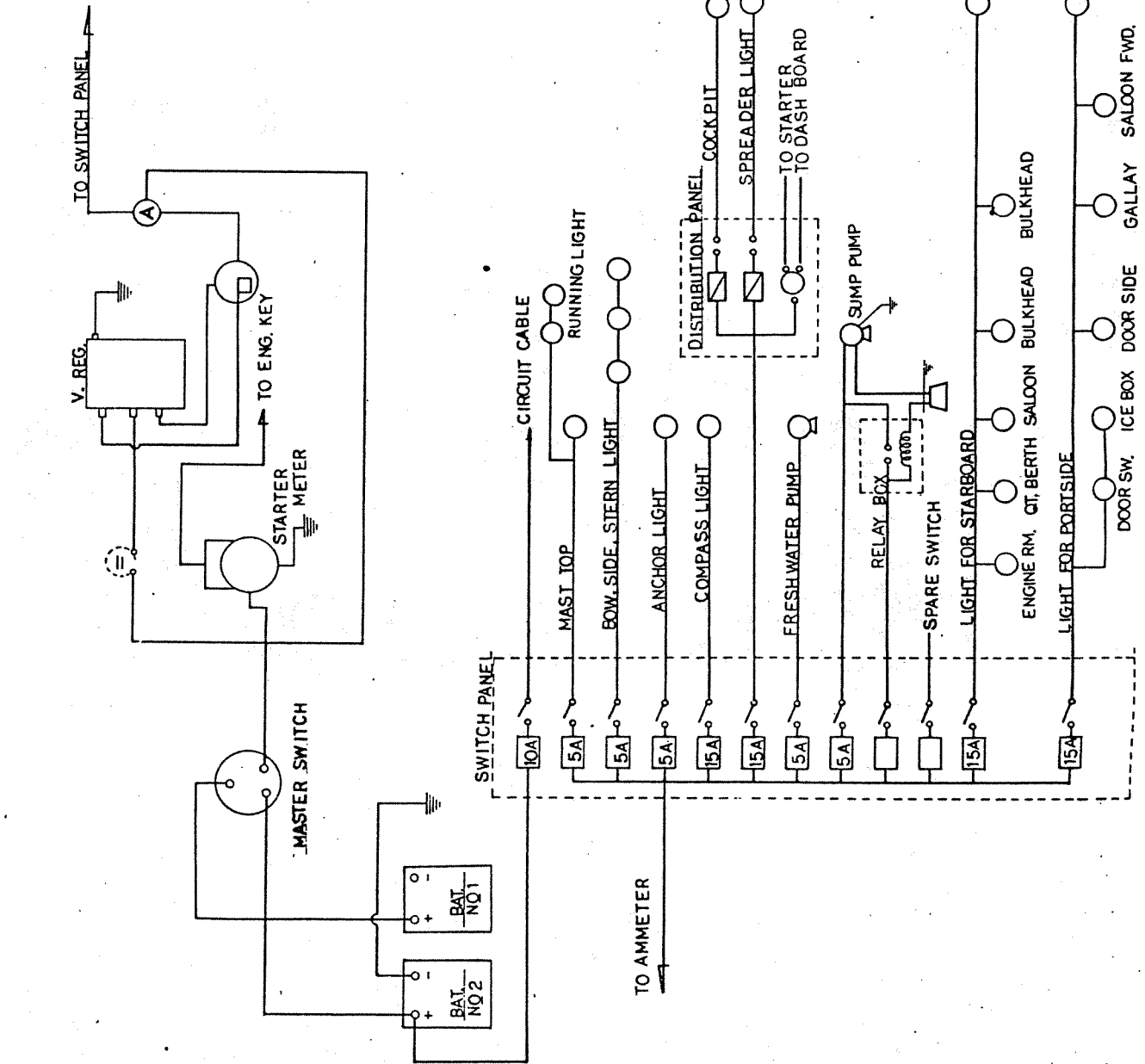
Engine Blower : Peter and Russell, Inc. Model 35515-0010

Toilet : Wilcox-Crittenden Model The "Head-Mate" Fig.1460

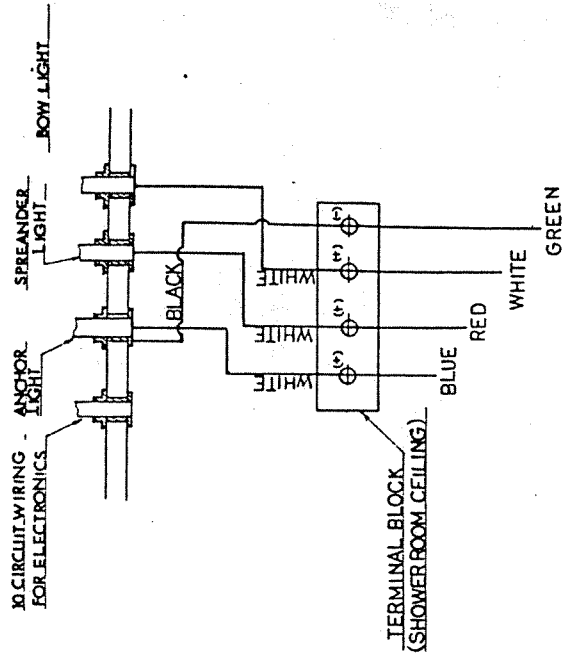




FUJII 35 DIESEL KEICH 12 VOLT DC WIRING DIAGRAM



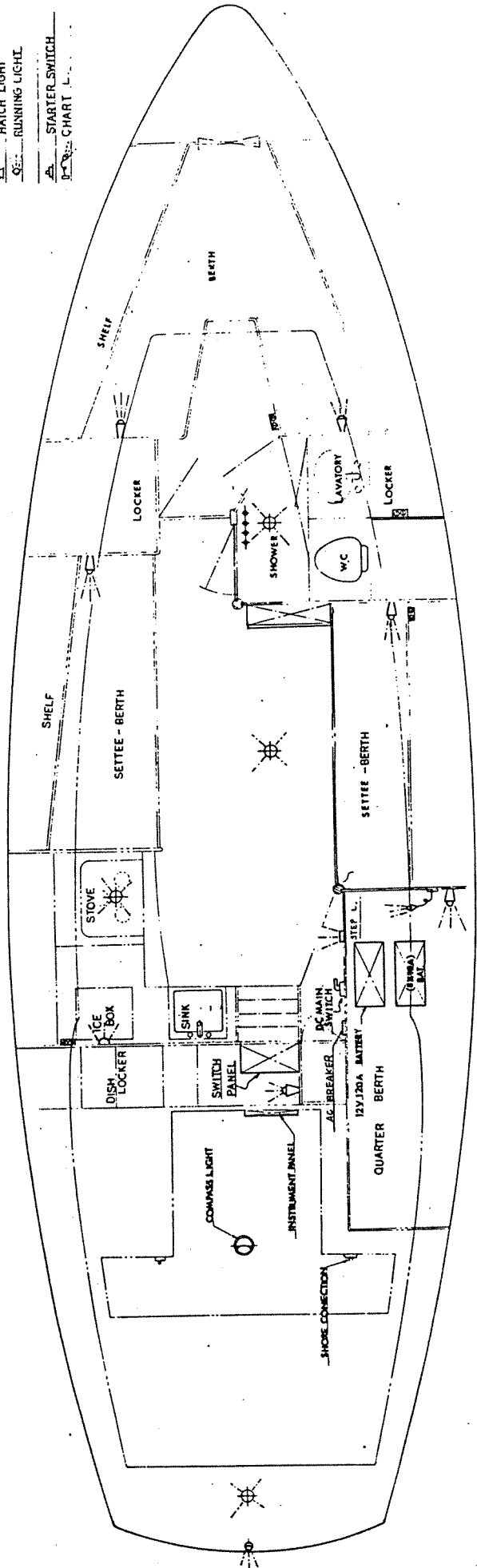
MAST WIRING DIAGRAM



FUJI 35 LIGHT PLAN

SYMBOLS

- RECEPTACLE
- BHD LIGHT
- DOMELIGHT
- STEP LIGHT
- HATCH LIGHT
- RUNNING LIGHT
- STARTER SWITCH
- CHART



FUEL 35 ENGINE PIPING SYSTEM

SYMBOLS

- ◆ STOP VALVE
- FUEL FILTER
- SEA WATER STRAINER
- ⊖ SEACOCK
- ⊕ THROUGH HULL

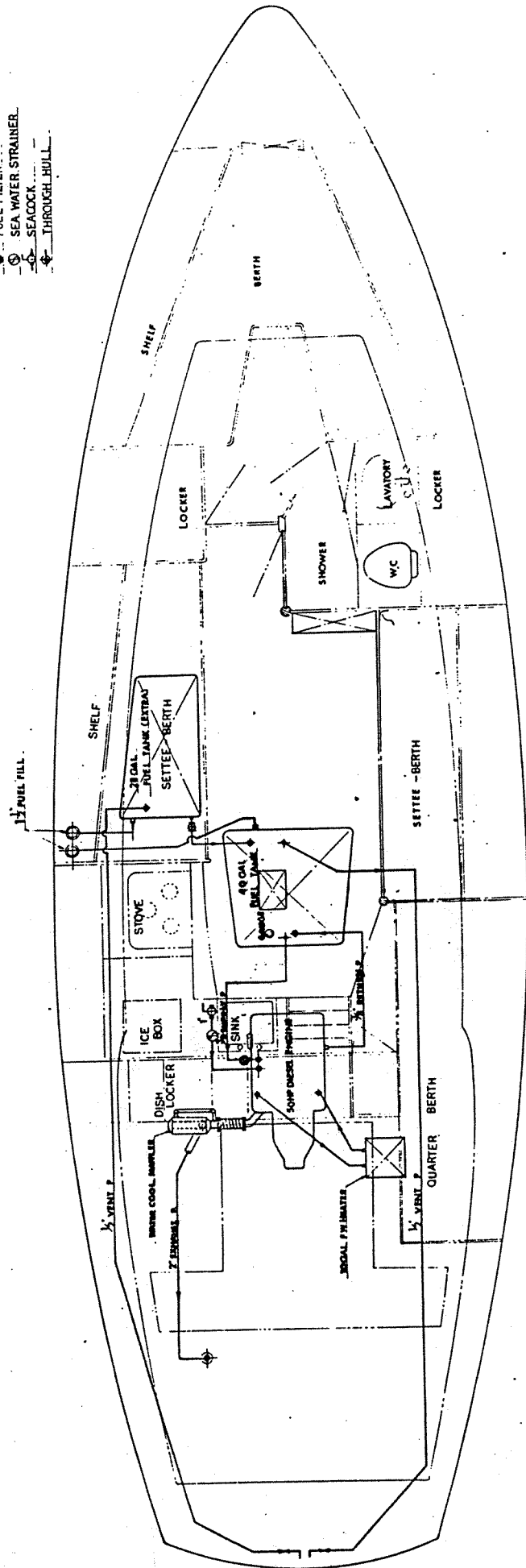


FIG. 35 BILGE AND SANITARY PIPING SYSTEM

SYMBOLS

- ⊕ STOP VALVE
- ⊕ CHECK VALVE
- ⊕ SCUPPER DECK
- ⊕ SEACOCK
- ⊕ SHOWER SUMP PUMP
- ⊕ BILGE PUMP
- ⊕ THROUGH HULL
- ⊕ BILGE PUMP STRAINER
- ⊕ SEACOCK VALVE

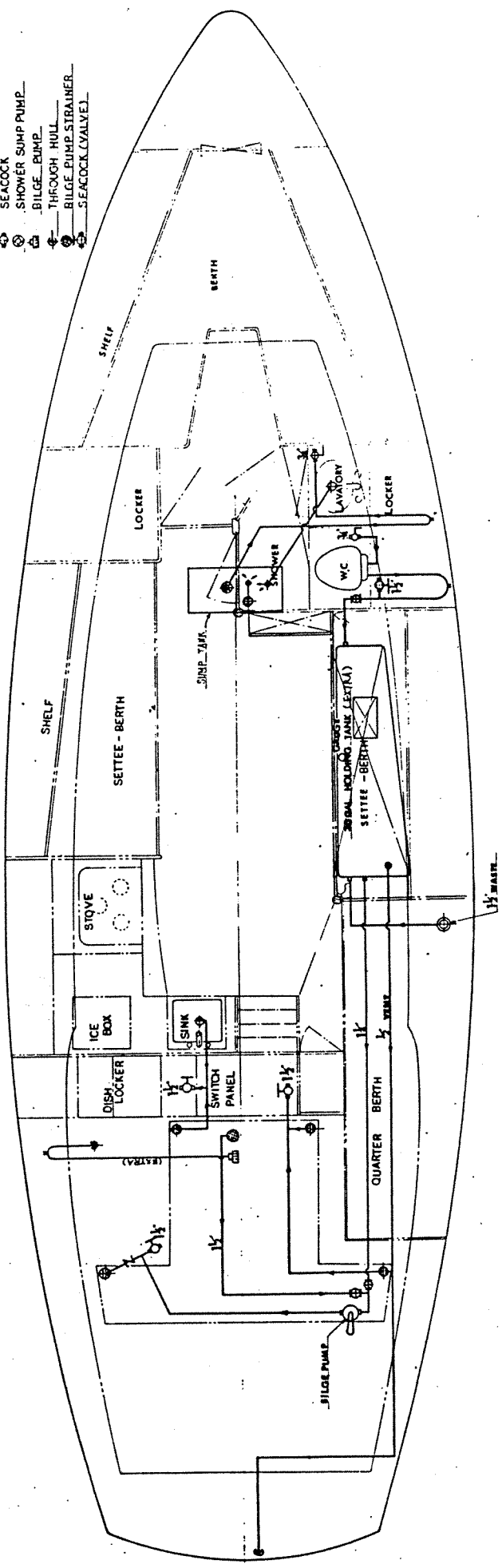
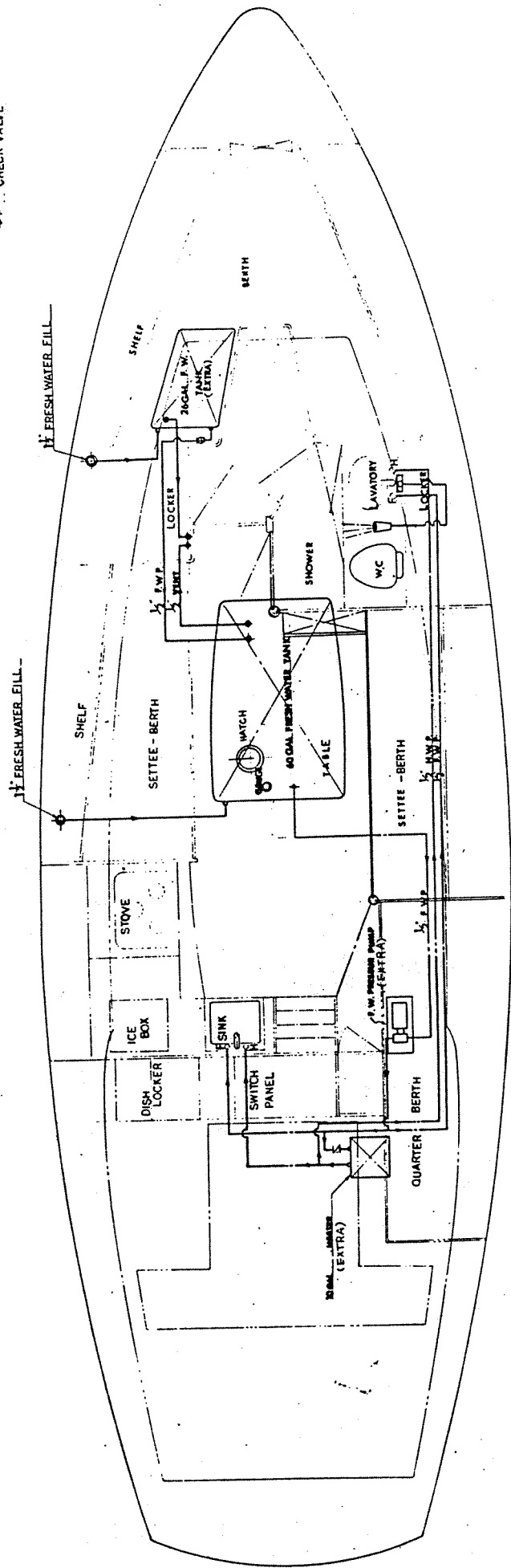


FIG. 35. FRESH WATER PIPING SYSTEM

SYMBOLS

- ⊕ STOP VALVE
- ⌞ CHECK VALVE



DATA SHEET

NAME OF BOAT : _____

OWNER'S NAME : _____

ADDRESS : _____

HAILING PORT : _____

HULL NUMBER : _____

REGISTRATION NUMBER: _____

Length Over All : 34'-7"
 Beam : 10'-0"
 Draft : 5'-0"
 Water Line : 26'-0"
 Height above Water Line : 45'-6"

Fuel Capacity : 40 gal.
 Water Capacity : 60 gal.
 Holding tank : 30 gal.

Extra Fuel Tank : _____
 Extra Water Tank : _____

Displacement : 16,302 lbs.
 Ballast : 5,500 lbs.

SAIL AREA

	<u>Luff</u>	<u>Leech</u>	<u>Foot</u>	<u>Area</u>	<u>Upper</u>	<u>Lower</u>	<u>Penant</u>
Main Sail	: 36'-0"	37'-0"	12'-1"	220 sq.ft.			
Mizzen Sail	: 23'-0"	23'-9"	8'-0"	92 sq.ft.			
Working Jib	: 37'-3"	30'-0"	14'-0"	195 sq.ft.	36"		24"
100% Genoa	: 39'-6"	35'-6"	17'-0"	318 sq.ft.			24"
150% Genoa	: 40'-2"	39'-11"	23'-0"	450 sq.ft.			24"
Forestay Sail	: 28'-0"	24'-0"	9'-3"	104 sq.ft.			6"
Mizzen St. Sail	: 28'-0"	24'-9"	21'-0"	250 sq.ft.			

TECHNICAL DATA

ENGINE

Manufacturer : _____ Model _____

Gear Manufacturer : _____ Model _____

Gear Ratio : _____ Type _____

Engine Serial No. : _____

Engine Gear Serial : _____

BATTERY Manufacturer : _____ Model _____

PROPELLER SHAFT

Material : _____ Diameter _____

Length : _____

PROPELLER

Manufacturer : _____ Style _____

Diameter : _____ Pitch _____

No. of Blades : _____ Material _____

HOT WATER HEATER

Manufacturer : _____ Model _____

WATER PRESSURE SYSTEM

Manufacture : _____ Model _____

BILGE PUMP Manufacture: _____ Model _____

Shower Sump Pump Manufacturer : _____ Model _____

Sump Pump Float switch : Manufacturer _____

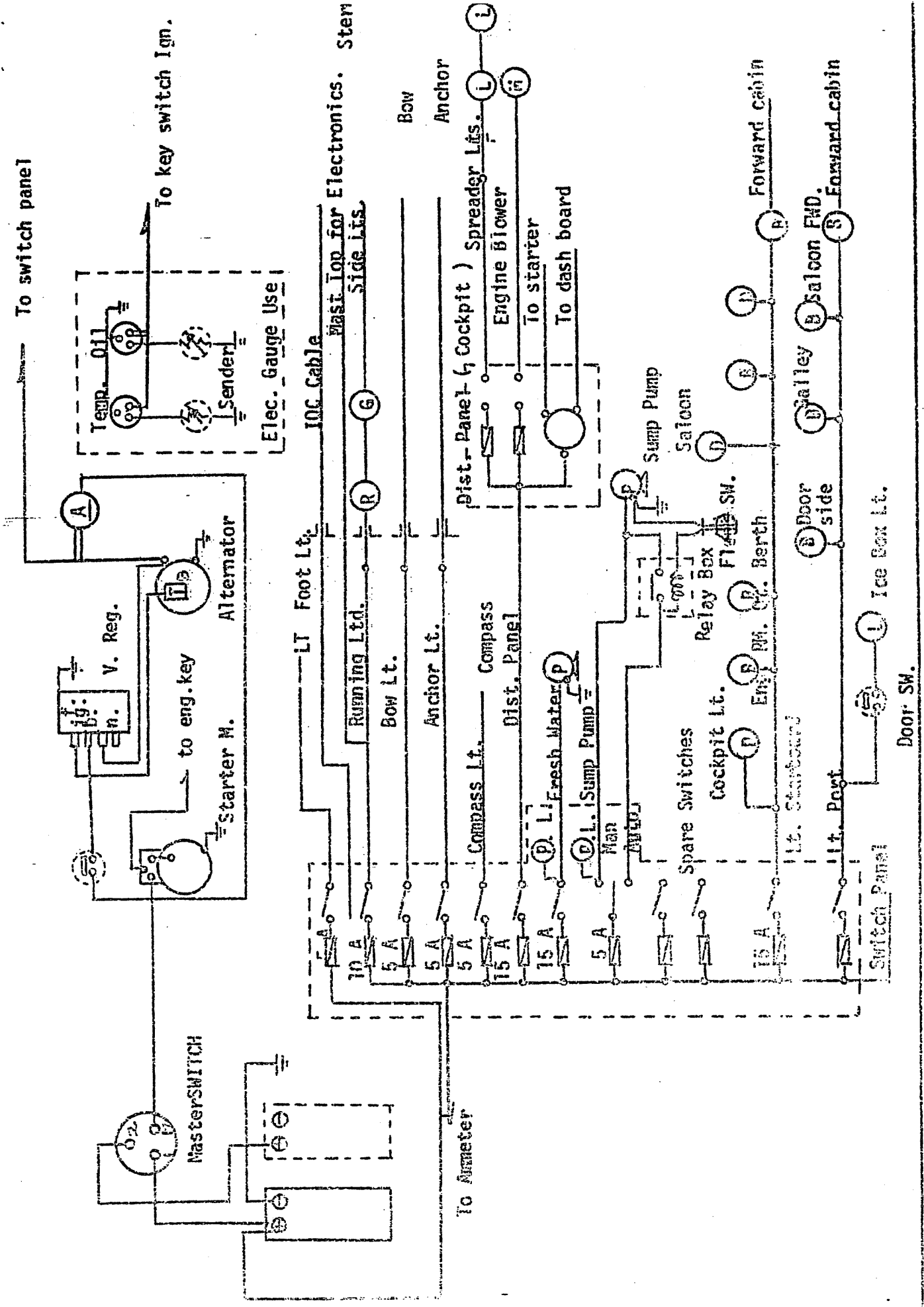
Shower : Mixing Valve : _____ Head : _____

Galley Faucet : _____ Lavatory Faucet : _____

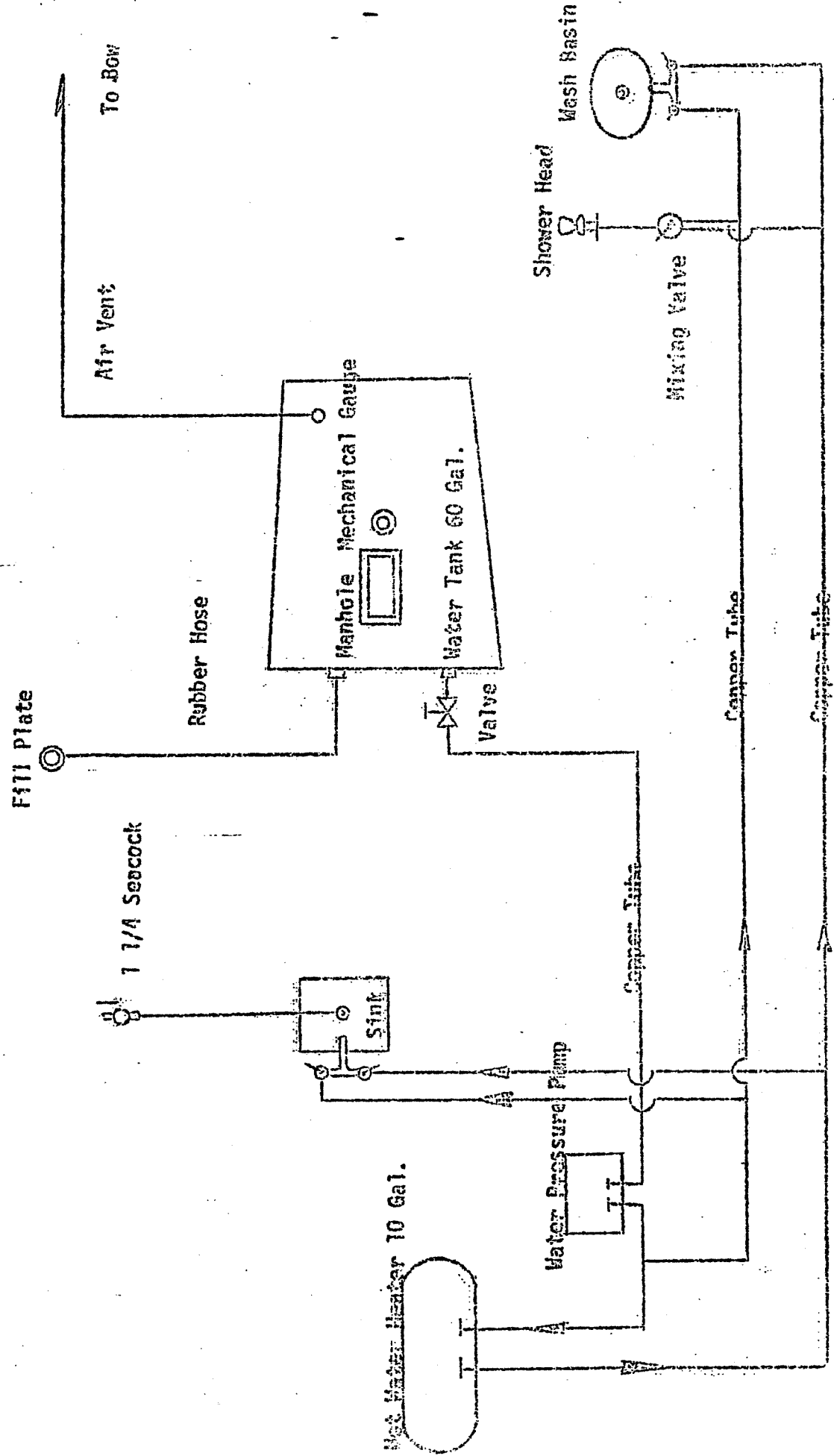
Engine Blower : _____

Toilet Manufacturer : _____ Model : _____

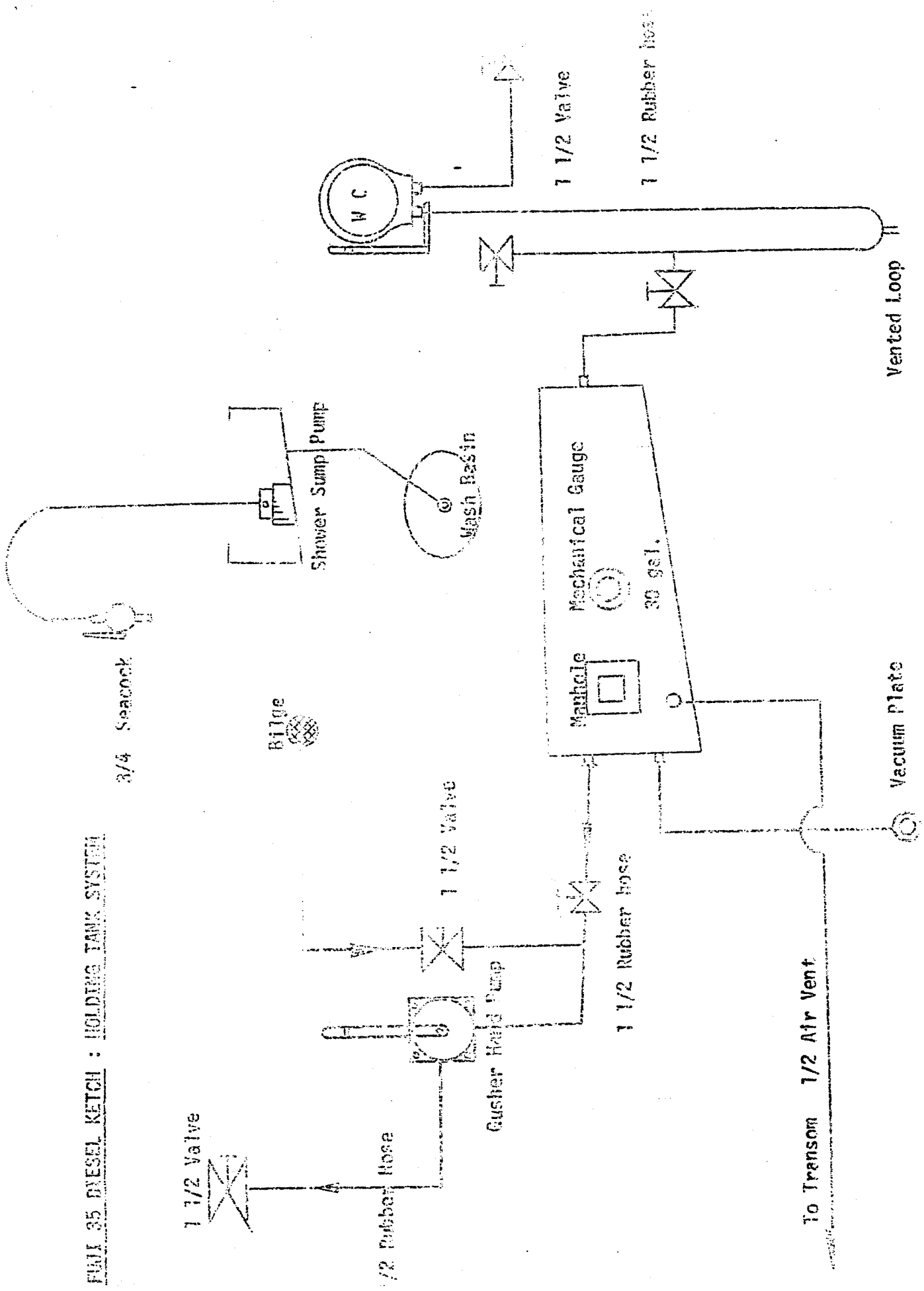
FUJI 35 DIESEL KETCH : 12 volt DC WIRING DIAGRAM



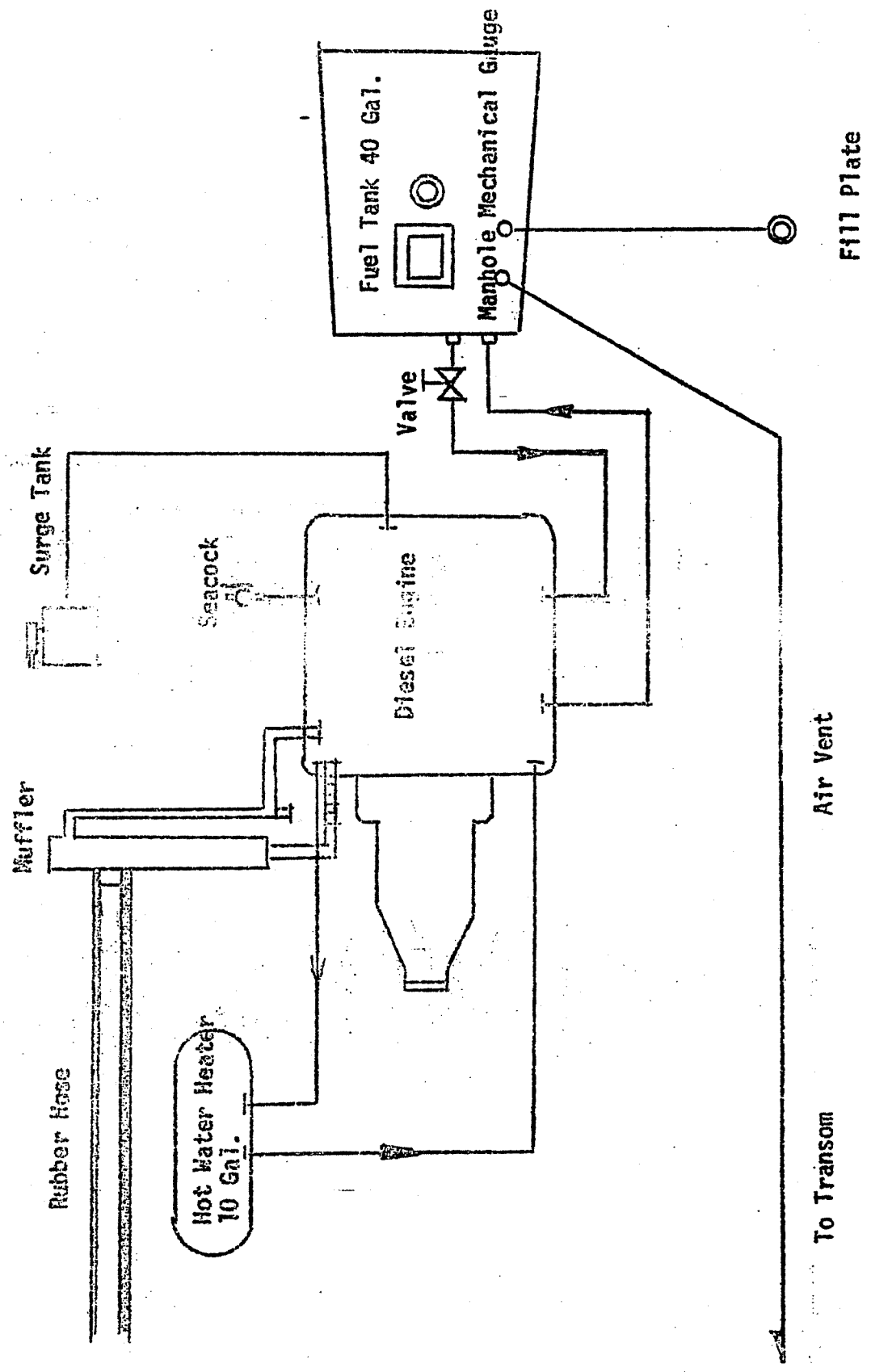
FUJI 35 DIESEL KETCH : FRESH WATER SYSTEM



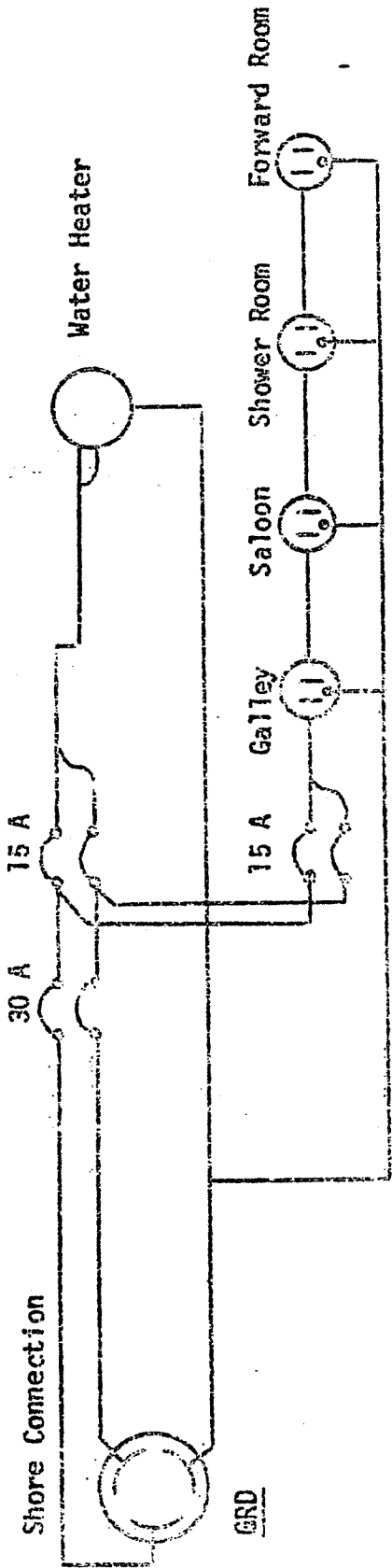
FUJI 35 DIESEL KETCH : HOLDING TANK SYSTEM



FUJI 35 DIESEL KETCH : ENGINE PIPING DIAGRAM

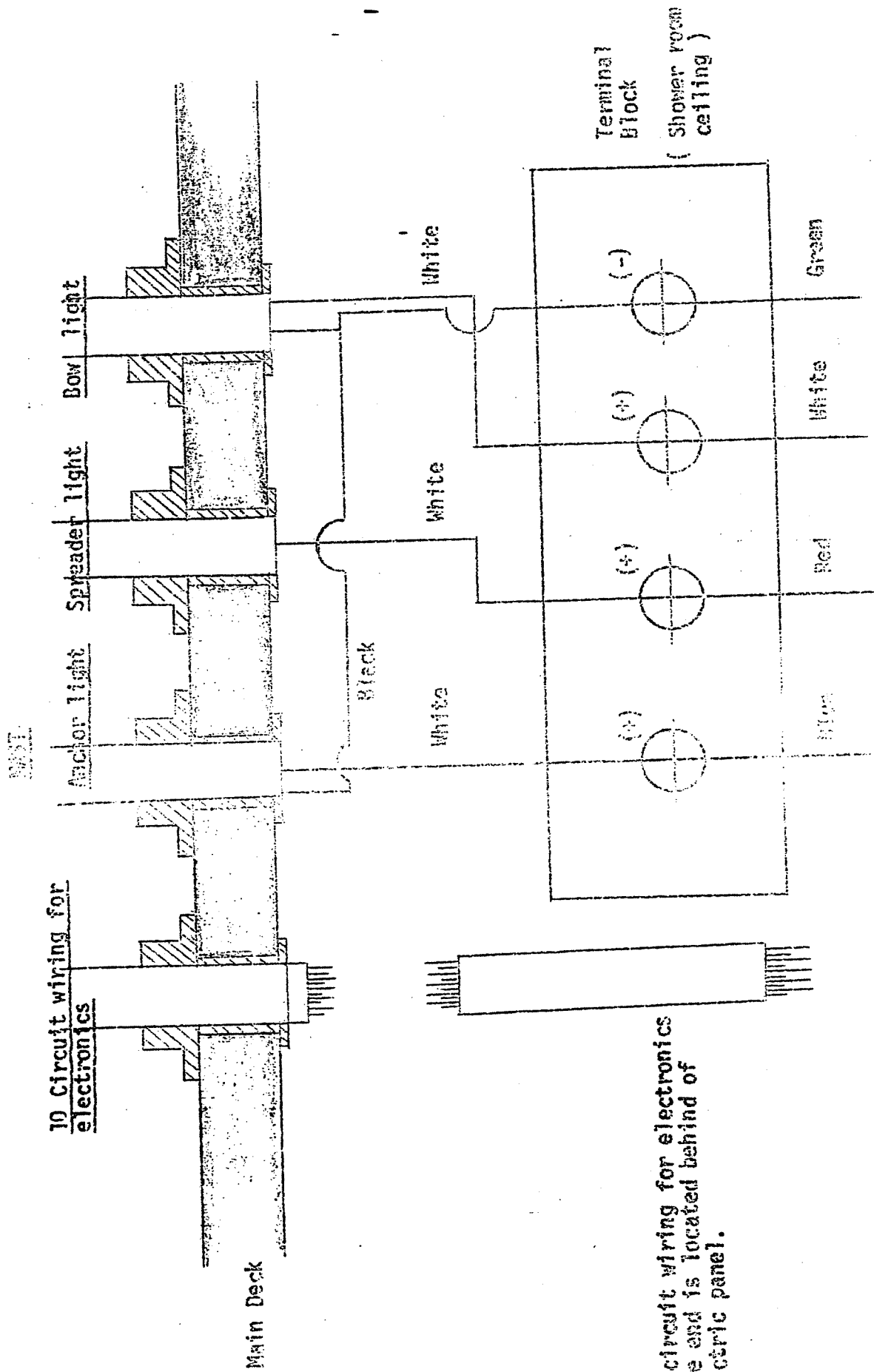


FUJI 35 DIESEL KETCH: 110 Volt WIRING DIAGRAM



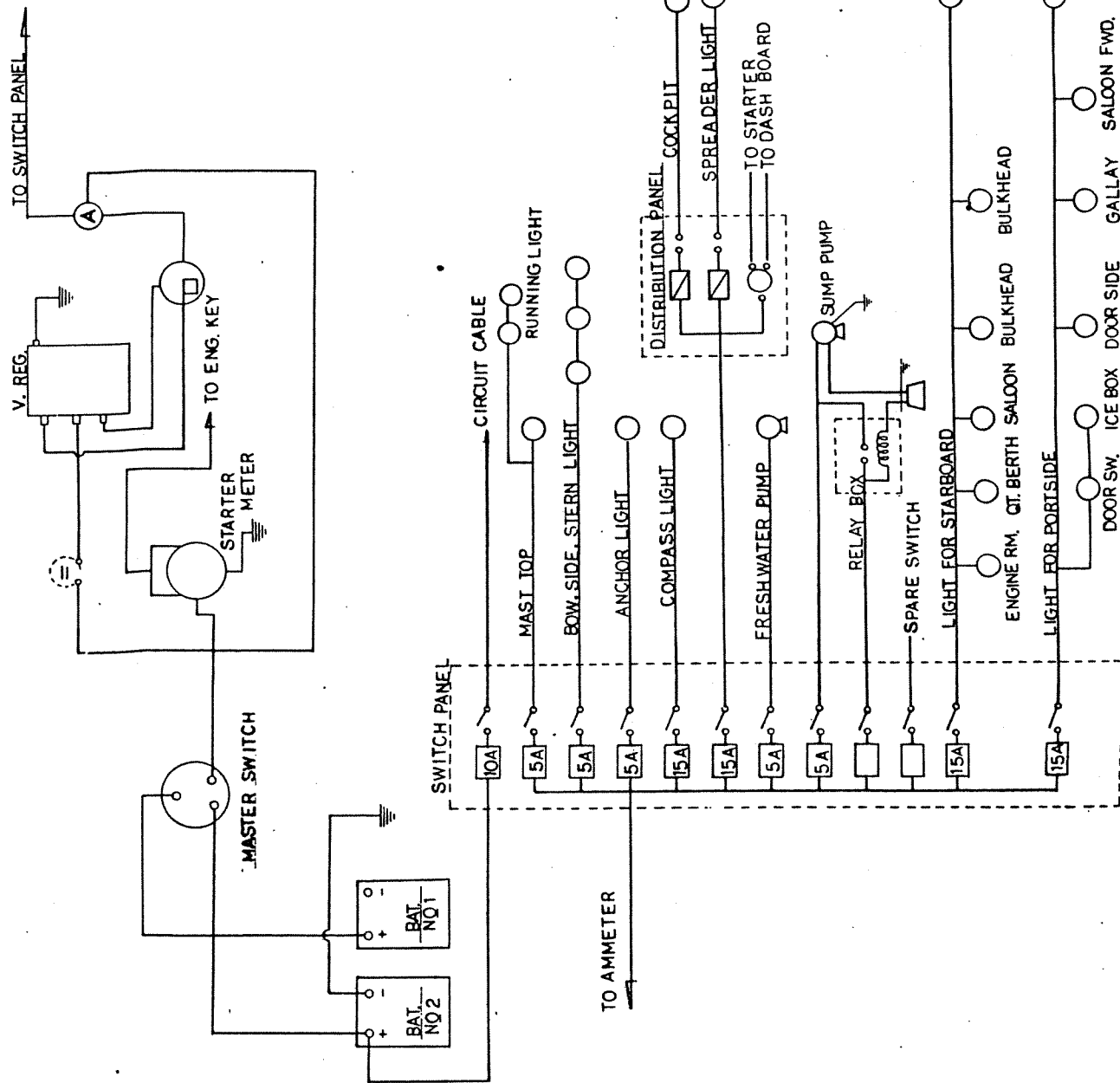
RECEPTACLE

FUJI 35 DIESEL KETCH : MAST WIRING DIAGRAM

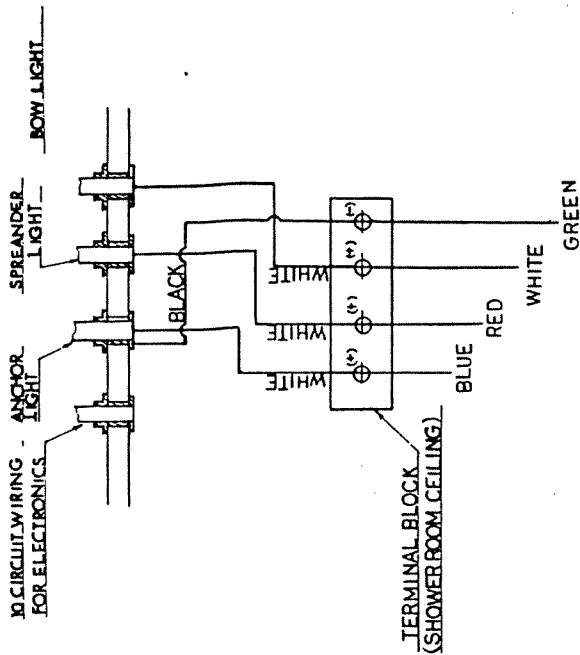


Note: 10 circuit wiring for electronics wire end is located behind of Electric panel.

FUJI 35 DIESEL KEITCH 12 VOLT DC WIRING DIAGRAM



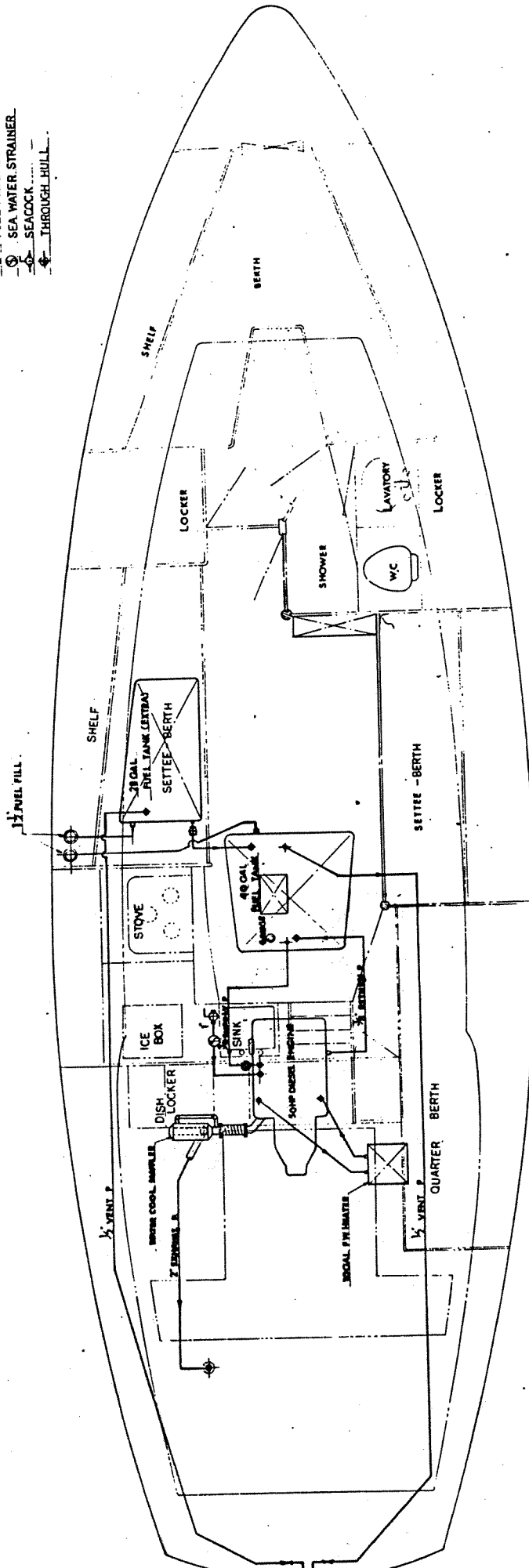
MAST WIRING DIAGRAM



FUEL 35 ENGINE PIPING SYSTEM

SYMBOLS

- ⊙ STOP VALVE
- ⊕ FUEL FILTER
- ⊗ SEA WATER STRAINER
- ⊖ SEACOCK
- ⊘ THROUGH HULL



FUJI 35 LIGHT PLAN

- SYMBOLS
- ☐ RECEPTACLE
 - ⊙ BHD LIGHT
 - ⊕ DOME LIGHT
 - ⊖ STEP LIGHT
 - ⊗ MATCH LIGHT
 - ⊘ RUNNING LIGHT
 - ⚡ STARTER SWITCH
 - Ⓜ CHART

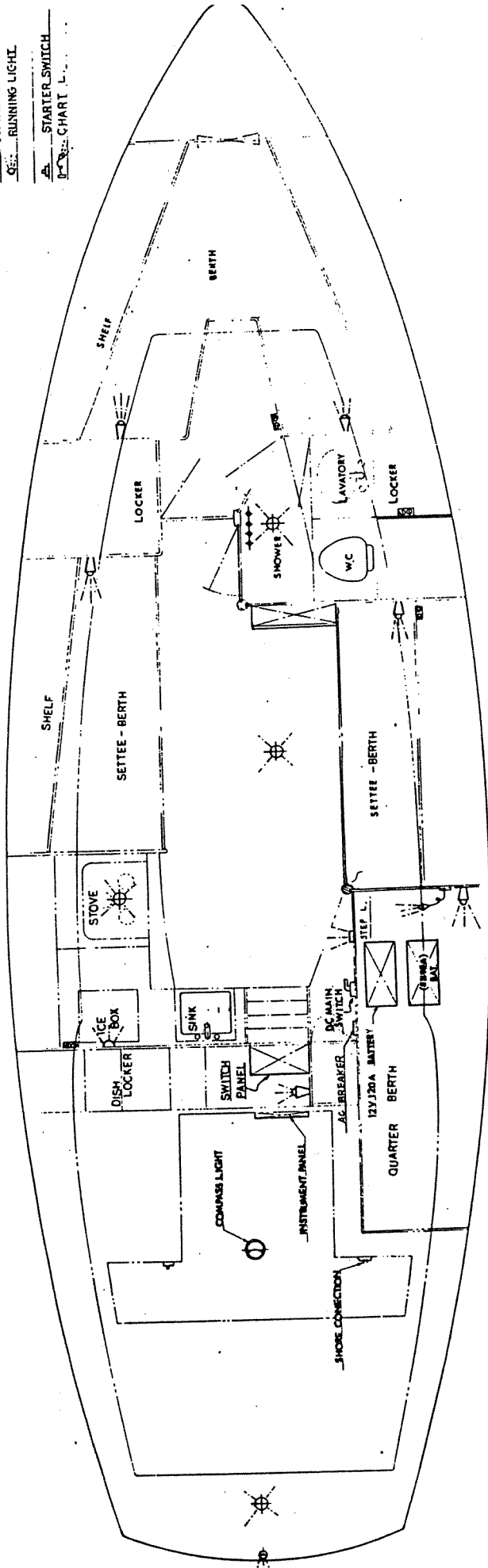


FIG. 35. FRESH WATER PIPING SYSTEM

SYMBOLS

- ⊕ STOP VALVE
- ⊕ CHECK VALVE

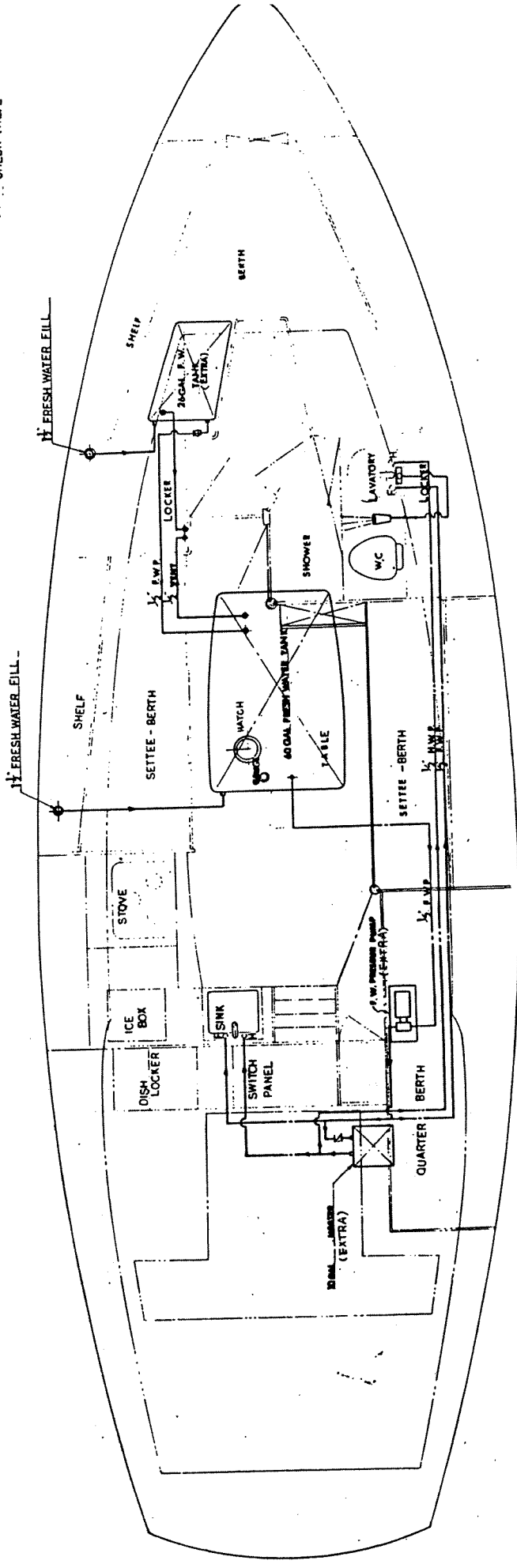


FIG. 35. BILGE AND SANITARY PIPING SYSTEM

SYMBOLS

- ⊕ STOP VALVE
- ⊖ CHECK VALVE
- ⊙ SCUPPER DECK
- ⊙ SEACOCK
- ⊙ SHOWER SUMP PUMP
- ⊙ BILGE BUMP
- ⊙ THROUGH HULL
- ⊙ BILGE PUMP STRAINER
- ⊙ SEACOCK (VALVE)

